



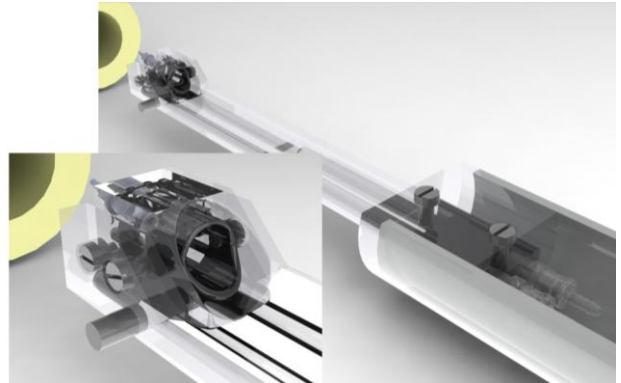
Scientific Instruments

Peira AnimalHolder

PROBLEM

Small animal imaging platforms are used in preclinical research set ups used for the discovery of novel drugs. One such technology is nMRI, magnetic resonance imaging using high magnetic fields.

The animals which are studied must be nicely positioned on a lukewarm holder in order to avoid cooling down of the mice during anesthesia. During the experiment the animal must be kept asleep and afterwards the isoflurane anesthesia gas must be replaced by oxygen. Today the tubes, nozzles, etc are individually and loosely connected and fixed to the animal, this is a cumbersome task for the researcher whilst not providing a good and consistent solution to the problem of preparing the animal.



SOLUTION

In collaboration with the researcher Peira has built an animal holder fit to the specific conditions of the research lab. The tool consists of a polypropylene support with the heating, anesthesia and oxygen conduits integrated in the machined part. A specially designed nozzle in which the animal's head is placed, allows for easy switching of the gazes and accurate administering of the correct flows without having to move the animal. The animal holder can easily be positioned in and removed from the machine's specific accessory insertion tube.

Using this tool results in important time savings for the researcher and in a better quality image capturing of the studied phenomena.