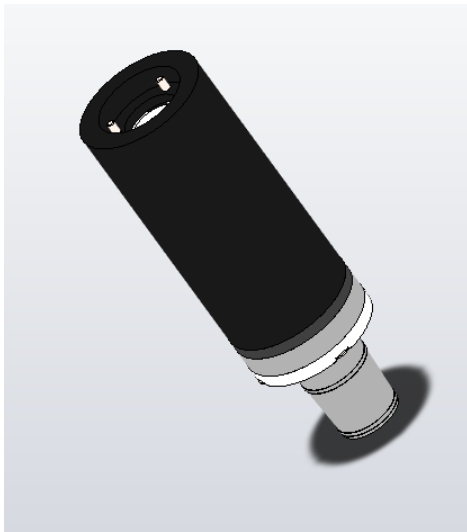




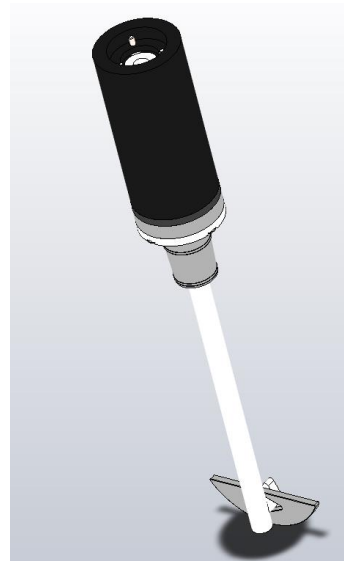
Scientific Instruments

Peira Magnetic Drive and stirrer

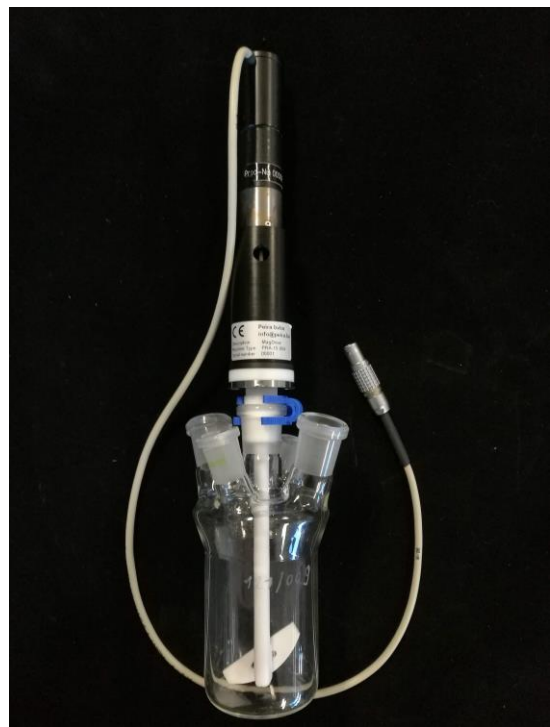
Magdrive



Magdrive and stirrer



Magdrive full assembly



FEATURE

Peira developed a magnetic drive that can be made compatible to a variety of reactor workstations.

BENEFIT

Peira can customize the MagDrive, stirrer and full assembly according to the customer or solution provider specifications

Cost effective solution.

Easy to operate and to maintain.

The magnetic drive prevents solvent losses and gas leaks.

Corrosion-resistant and perfectly suited for reactions that consume gaseous products or produce off-gas.

SPECIFICATIONS

Can be made compatible to a variety of workstations

Stirrer and shaft Material: RVS316, RVS 316 coated with PFTE, PEEK or Hastelloy

Rotations speed and torque, depending on drive motor and upon request.

Motors available for EasyMax™ and Optimax™ workstations, upon request for other workstations.